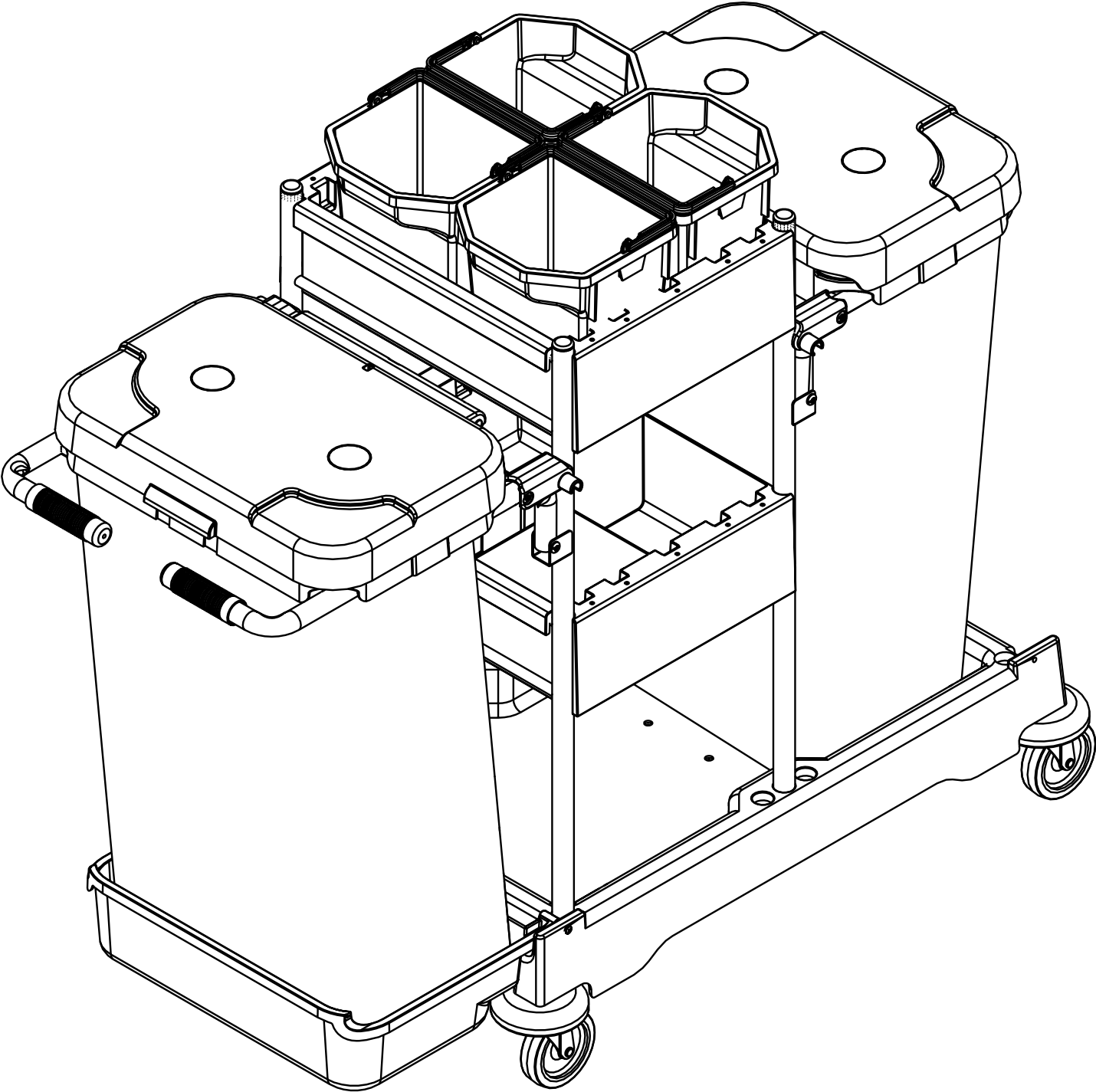
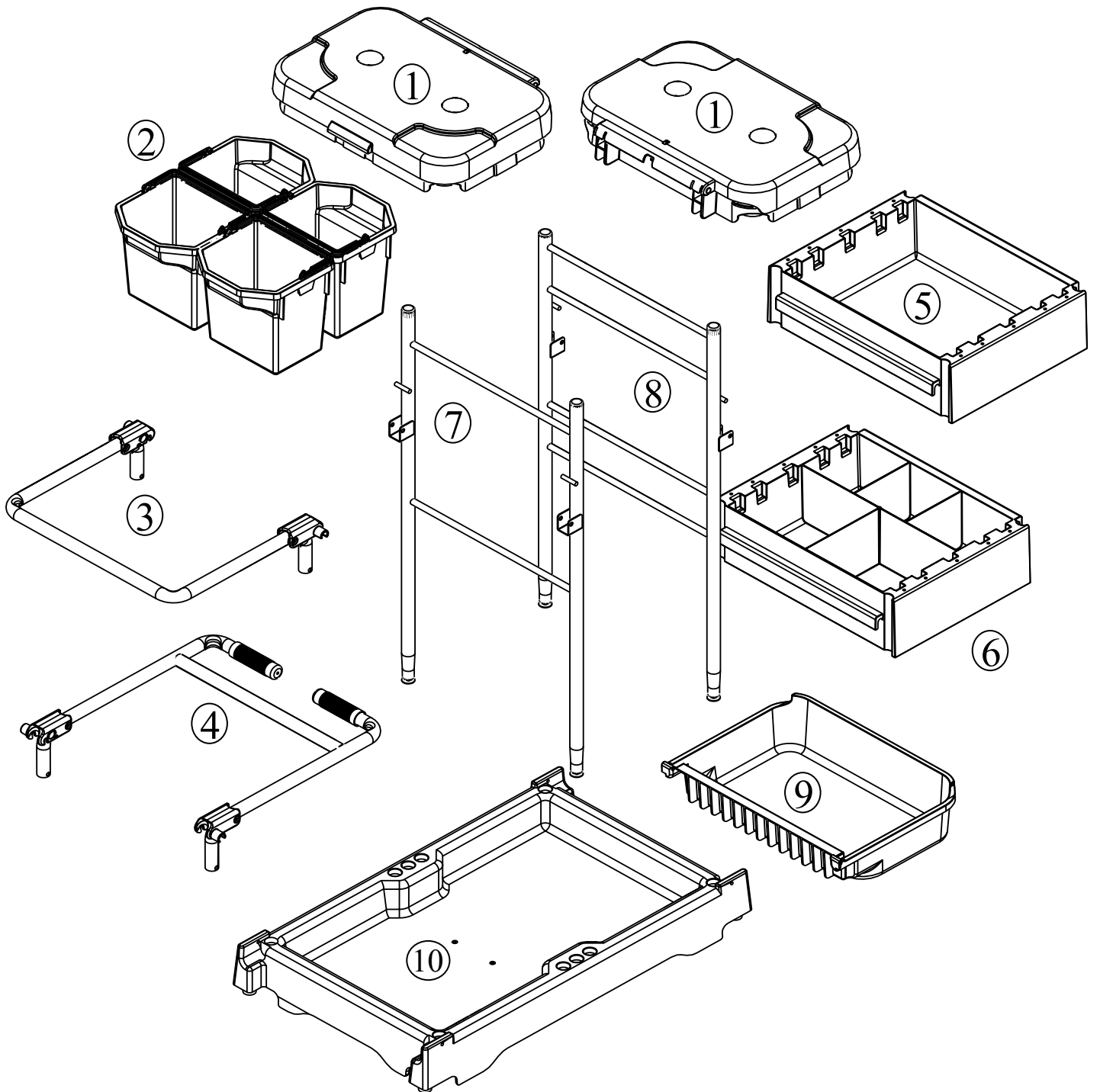


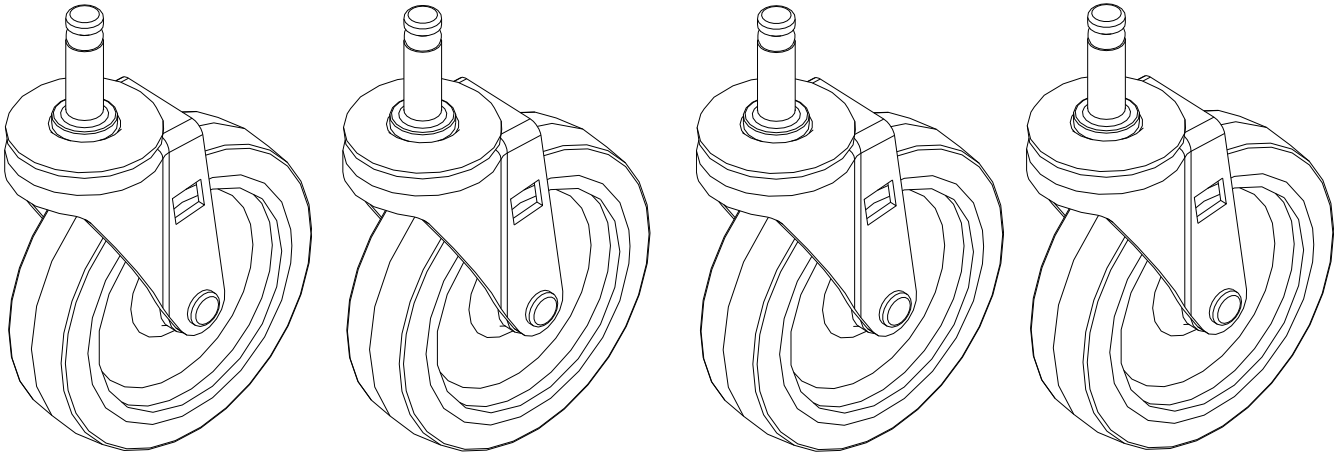
# NPT 1605 (NACECARE)





ITEM	PART	DESCRIPTION	QTY
1	338599	4 PIECE LIDSET	2
2	628001	5LTR PAIL RED	1
2	628002	5LTR PAIL BLUE	1
2	628003	5LTR PAIL GREEN	1
2	628004	5LTR PAIL YELLOW	1
3	418627	LID SUPPORT FRAME	1
4	418587	LID SUPPORT FRAME	1
5	223301	TRAY PLAIN	1
6	223302	TRAY DIVIDED	1
7	420066	UPRIGHT	1
8	418821	UPRIGHT	1
9	227972	BAG TRAY	1
10	328150	BASE(PRINTED NACECARE)	1
NOT SHOWN	627918	ZIPPED COVERALL (BLUE)	1
NOT SHOWN	629775	LAUNDRY BAG (YELLOW)	1
NOT SHOWN	629444	REPLACEMENT 70L WASTE SACKS	1 X 10

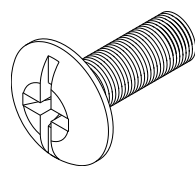
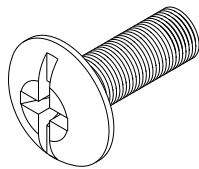
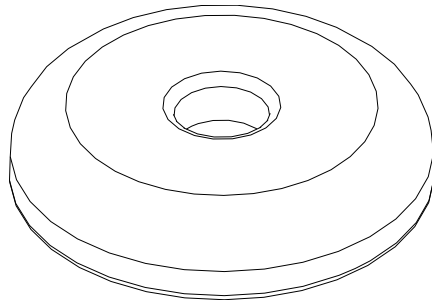
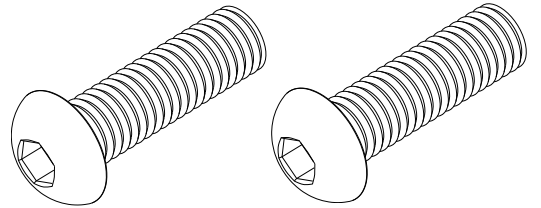
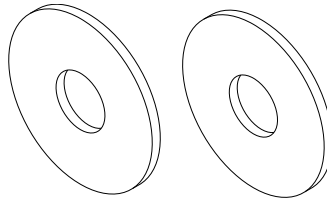
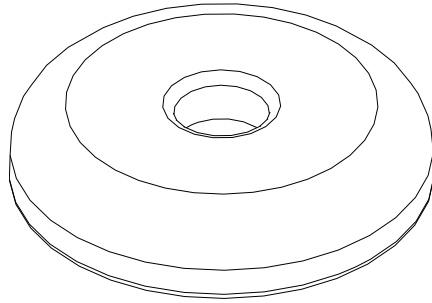
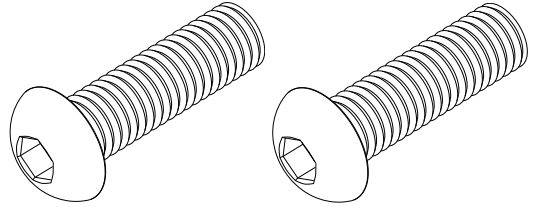
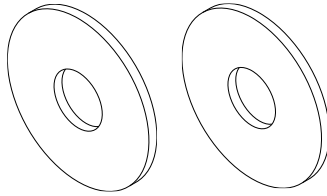
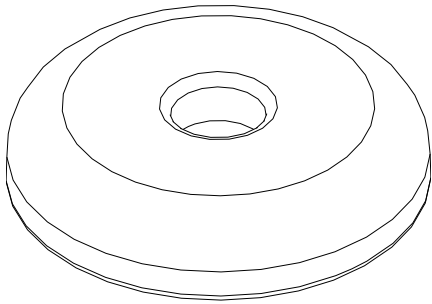
204062



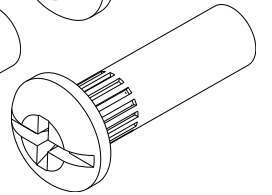
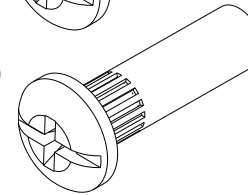
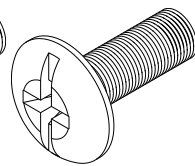
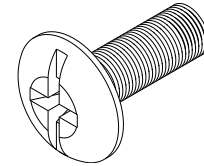
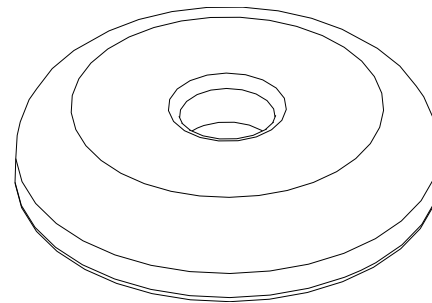
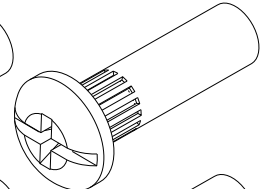
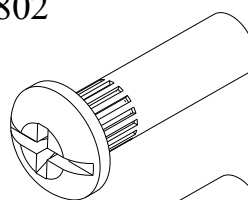
227479

221154

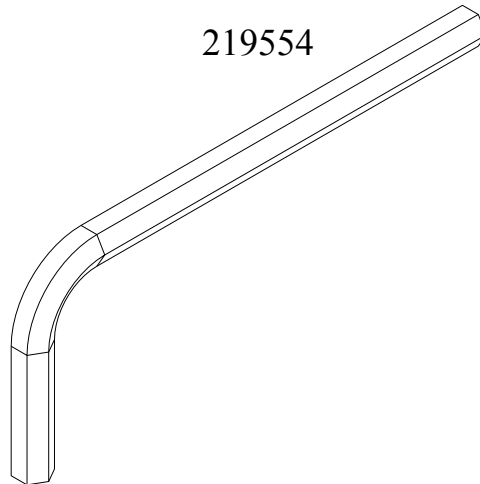
219555



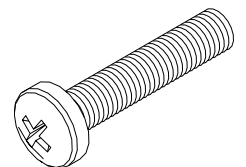
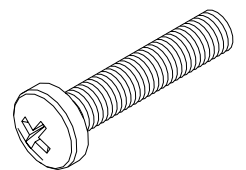
219802

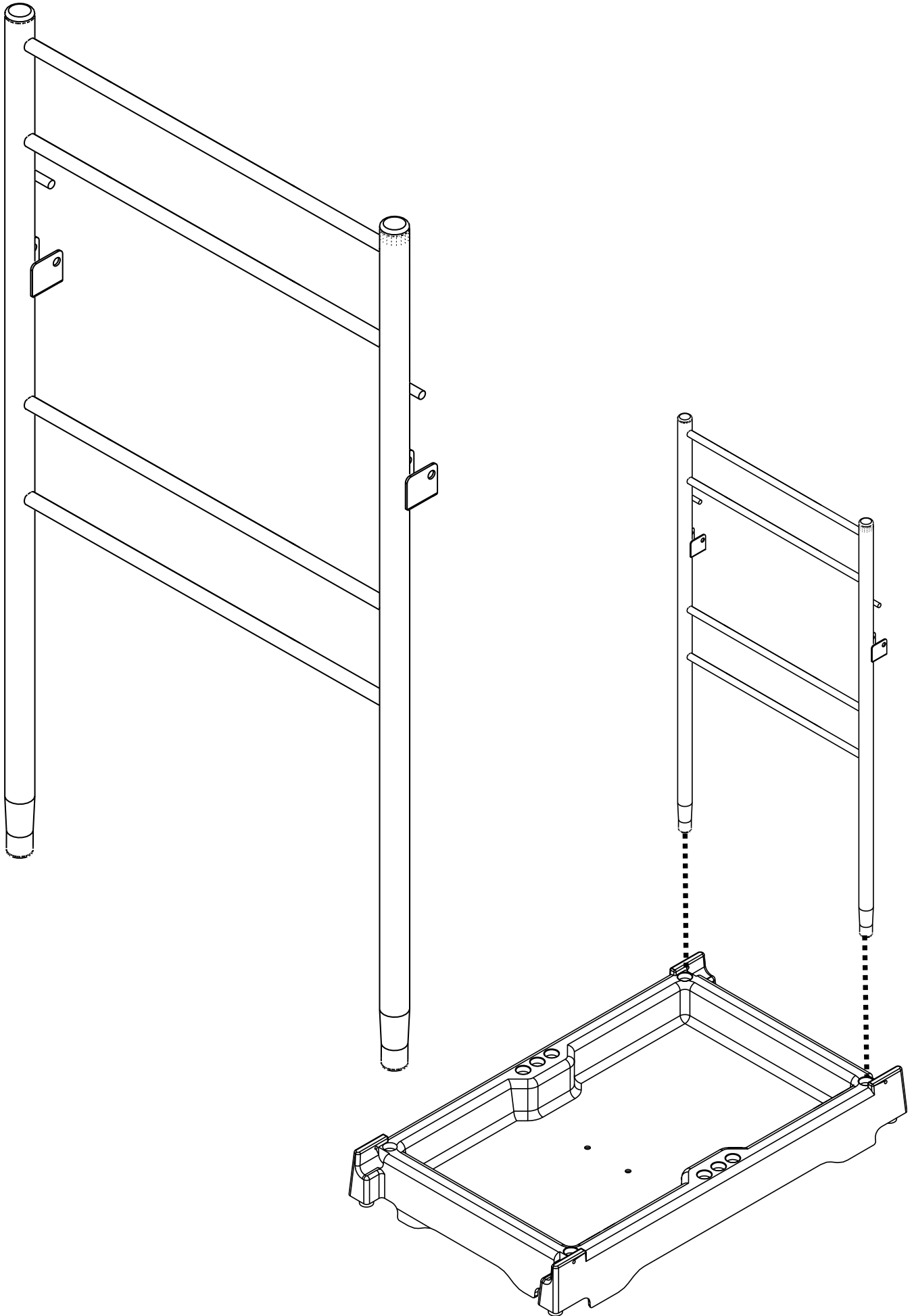


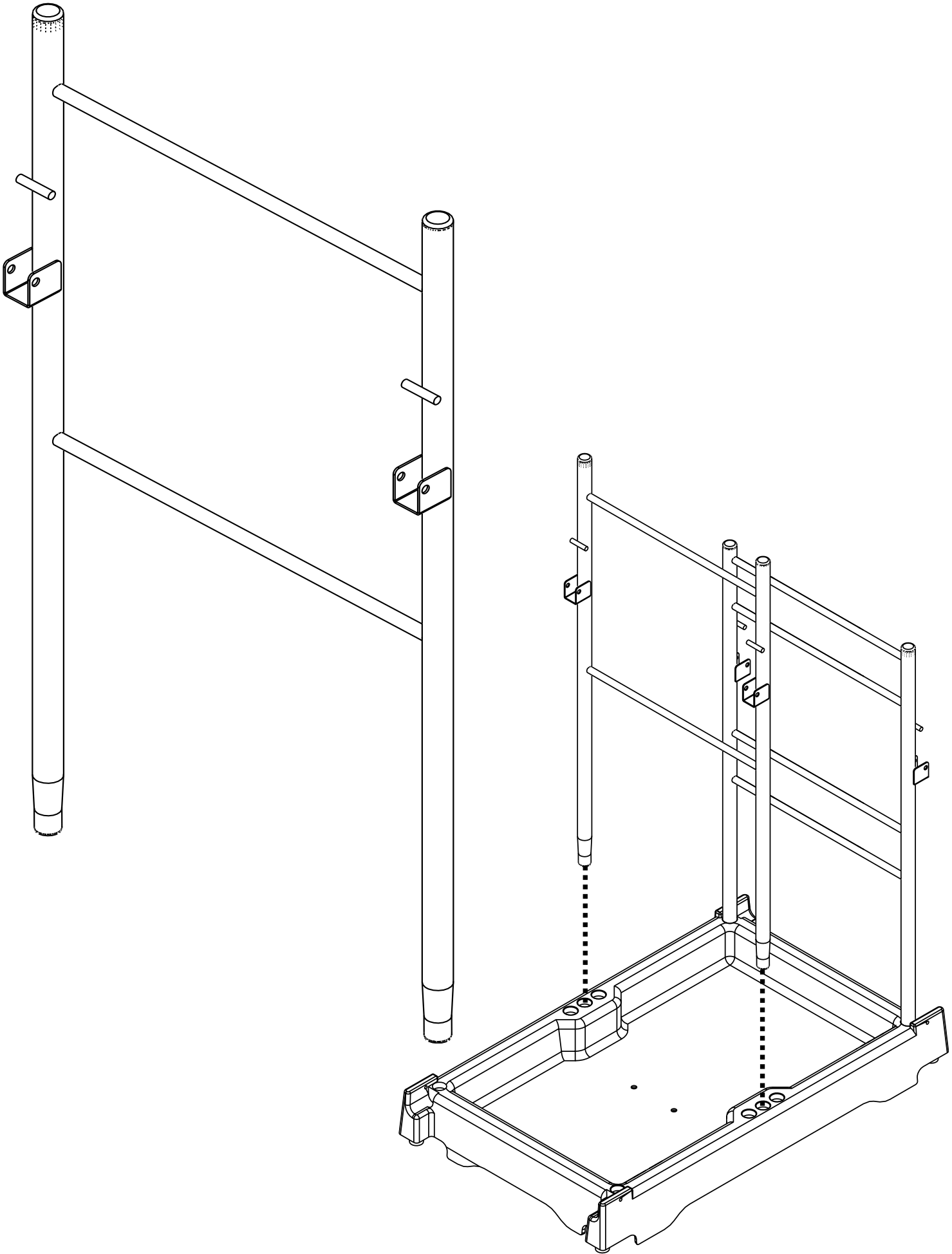
219554



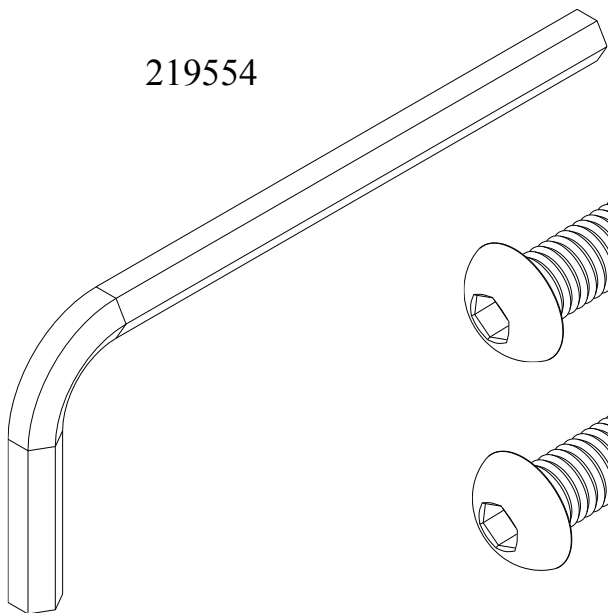
219057



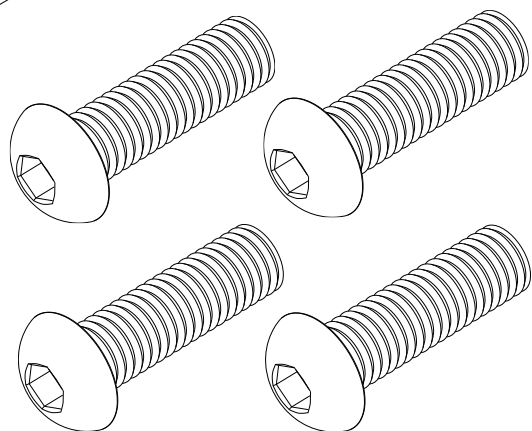




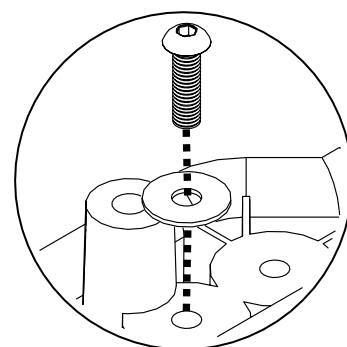
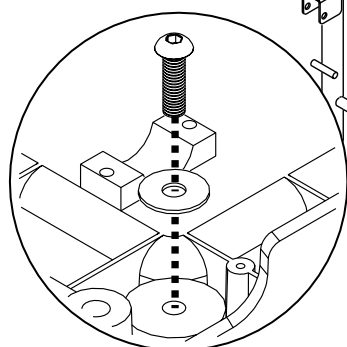
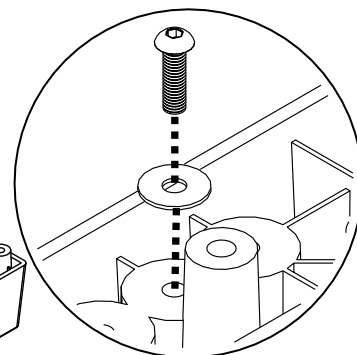
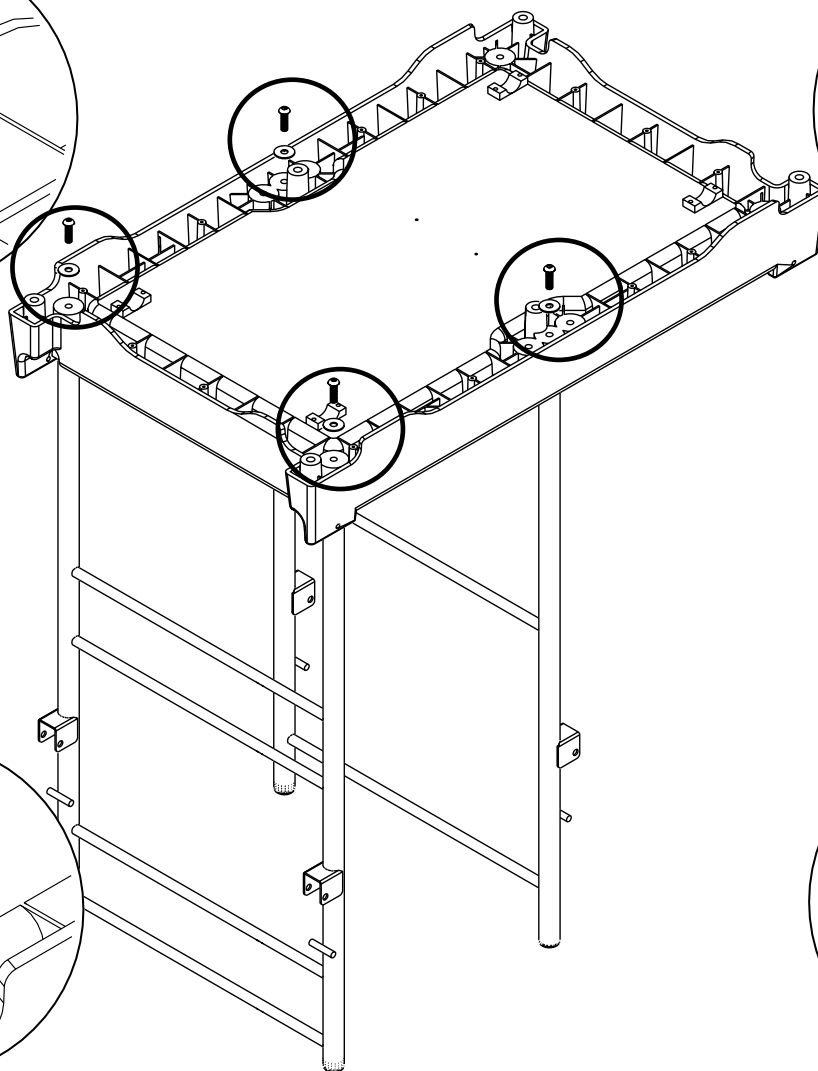
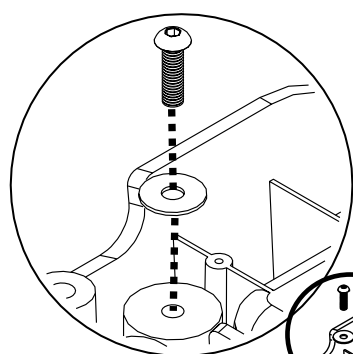
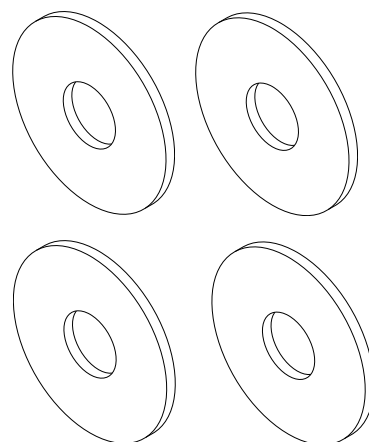
219554



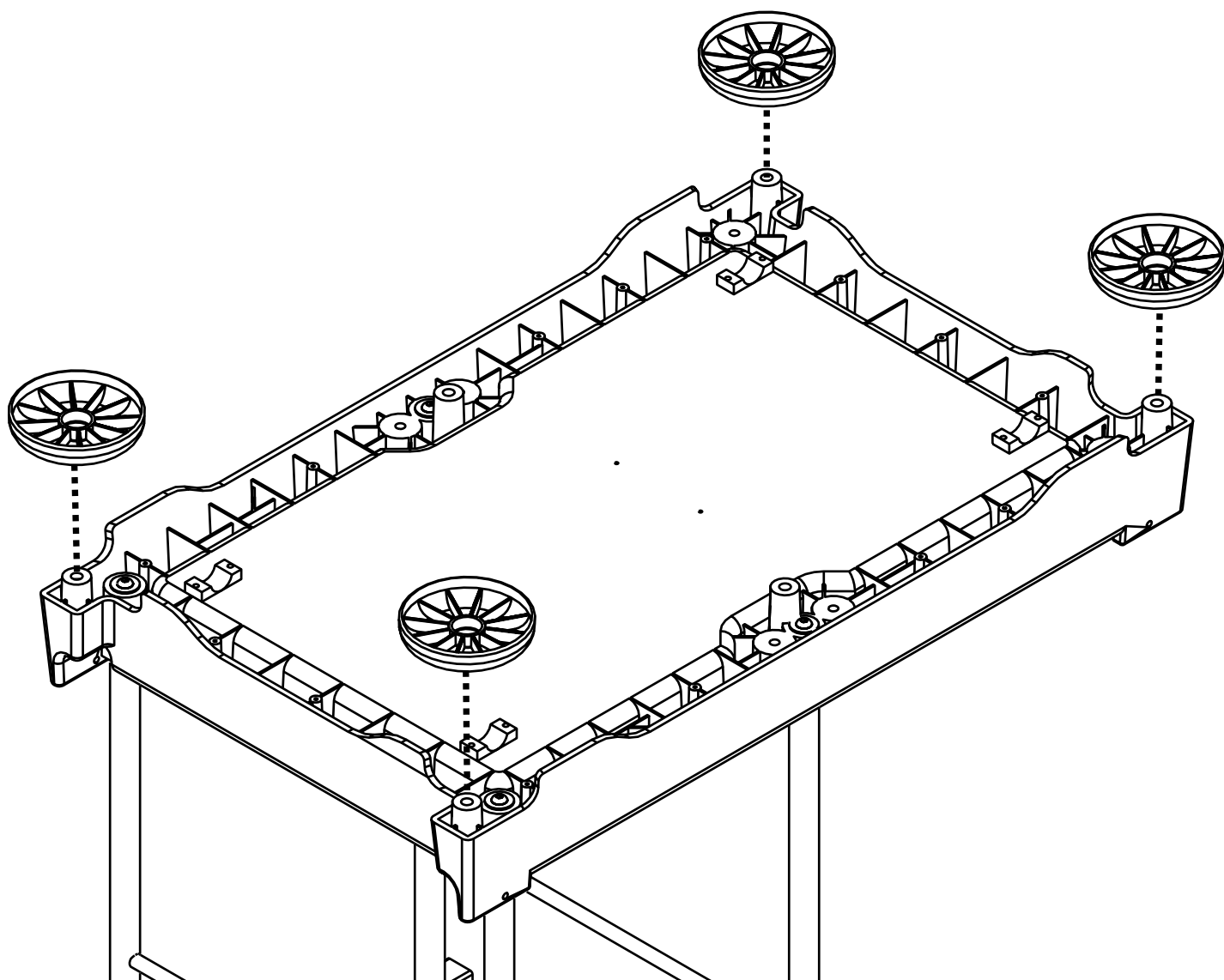
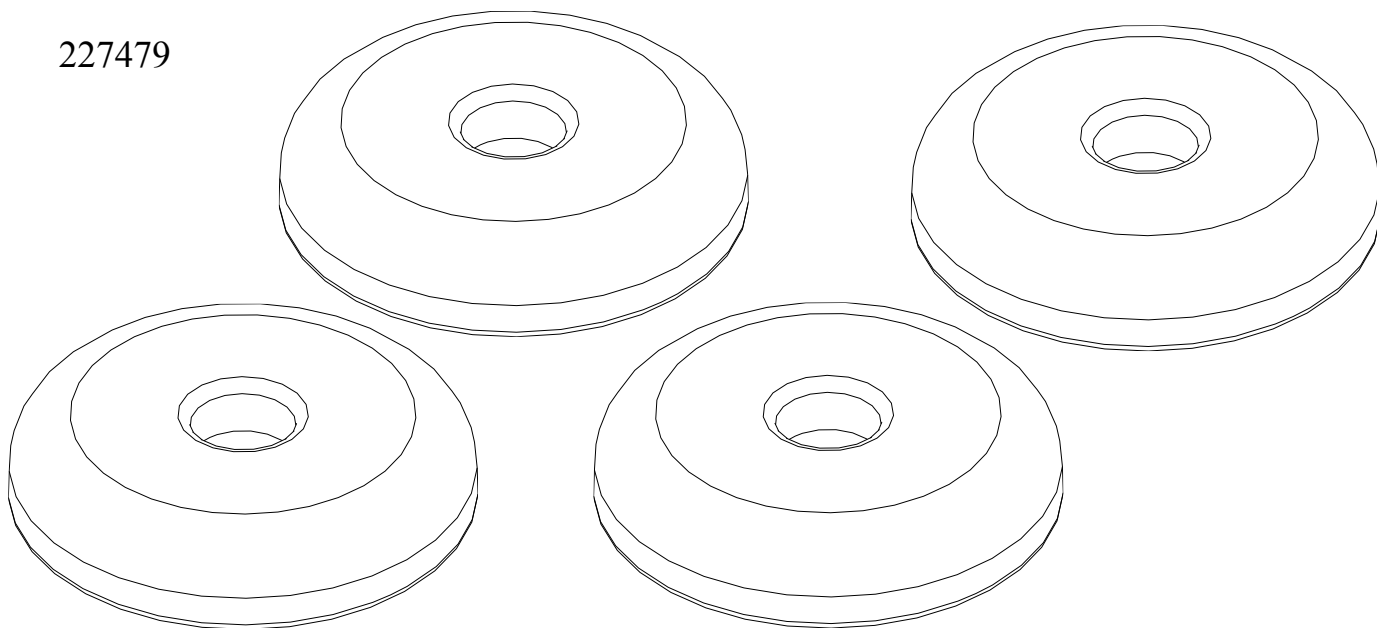
219555



221154

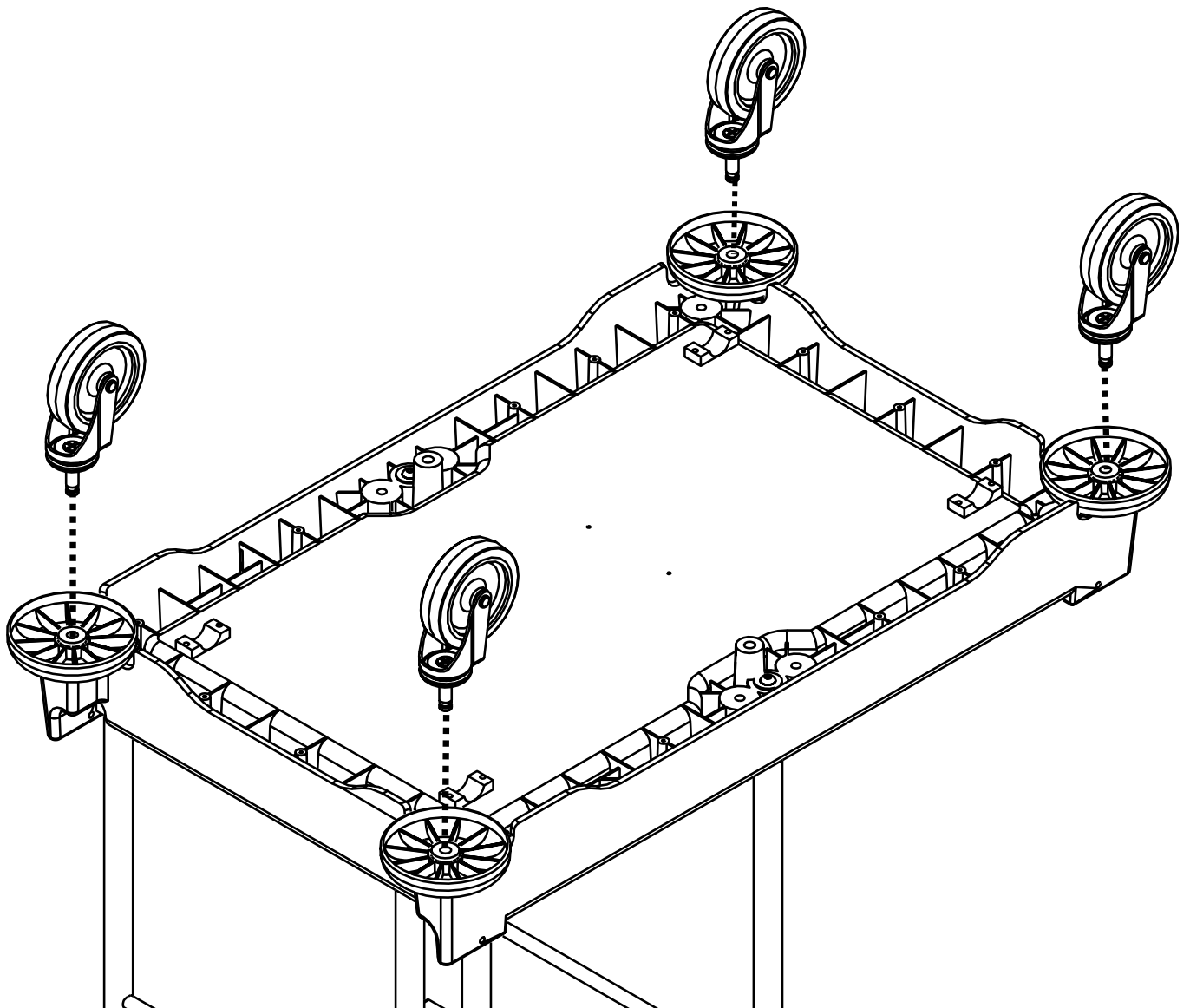
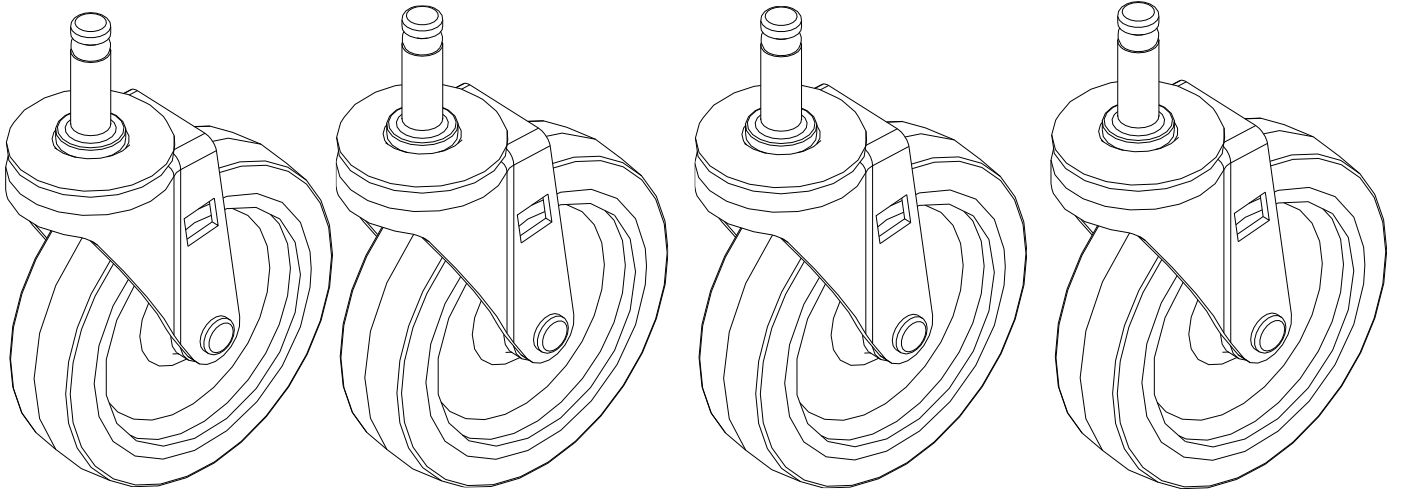


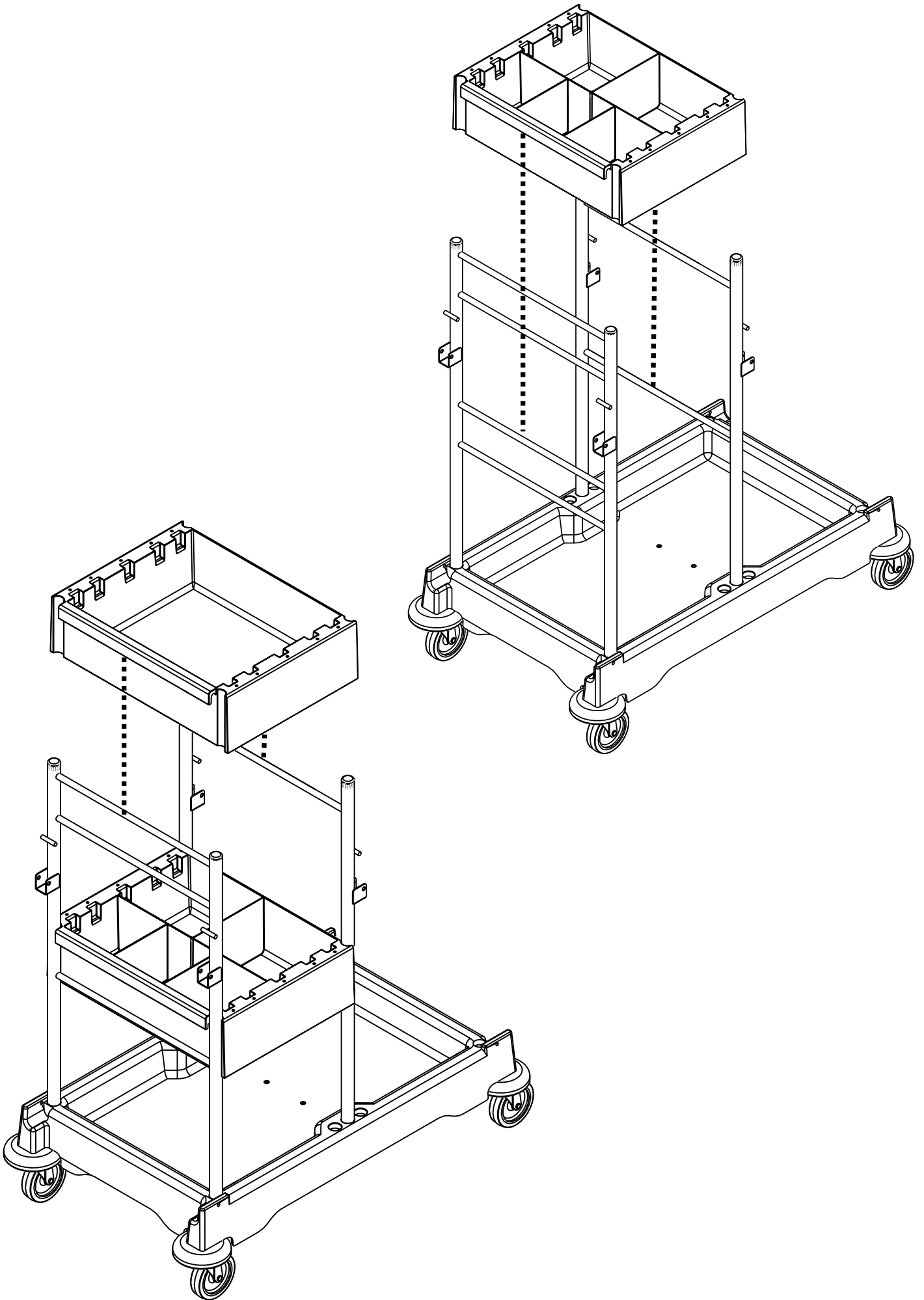
227479

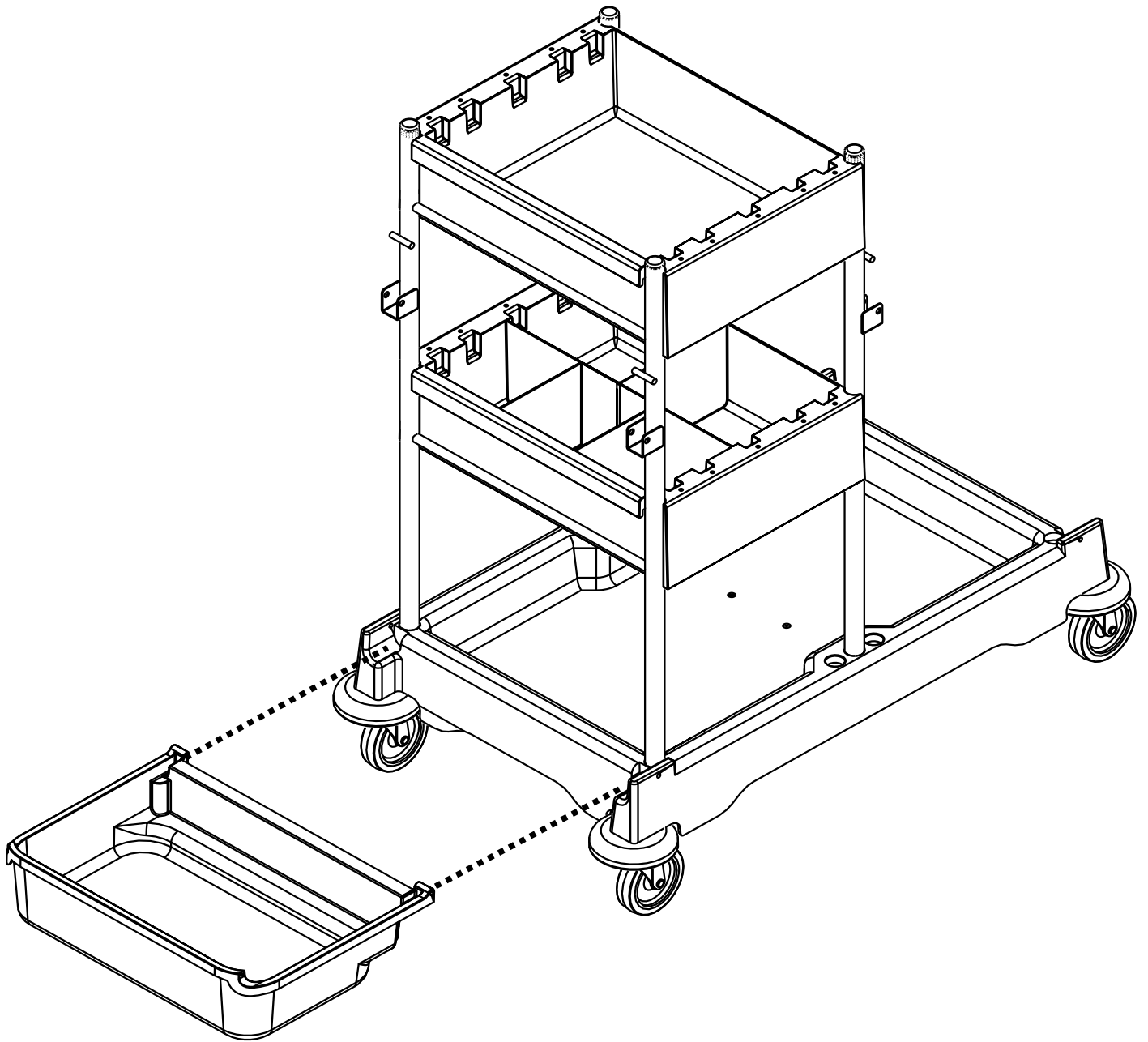




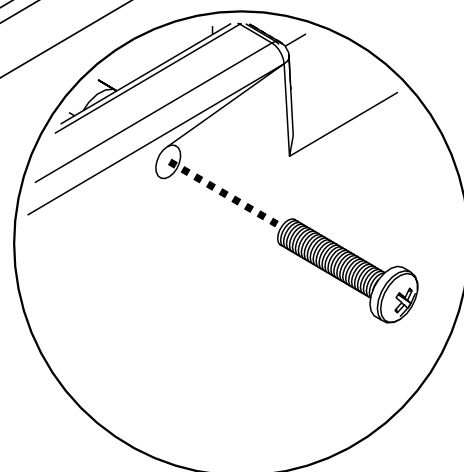
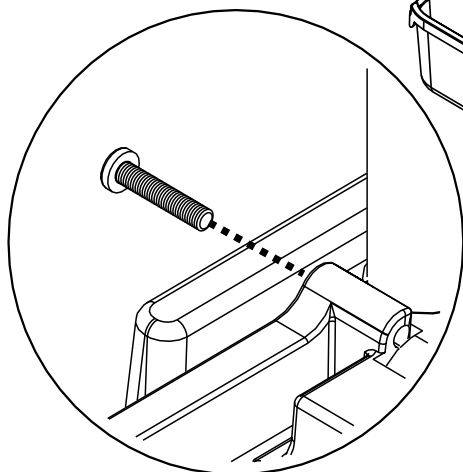
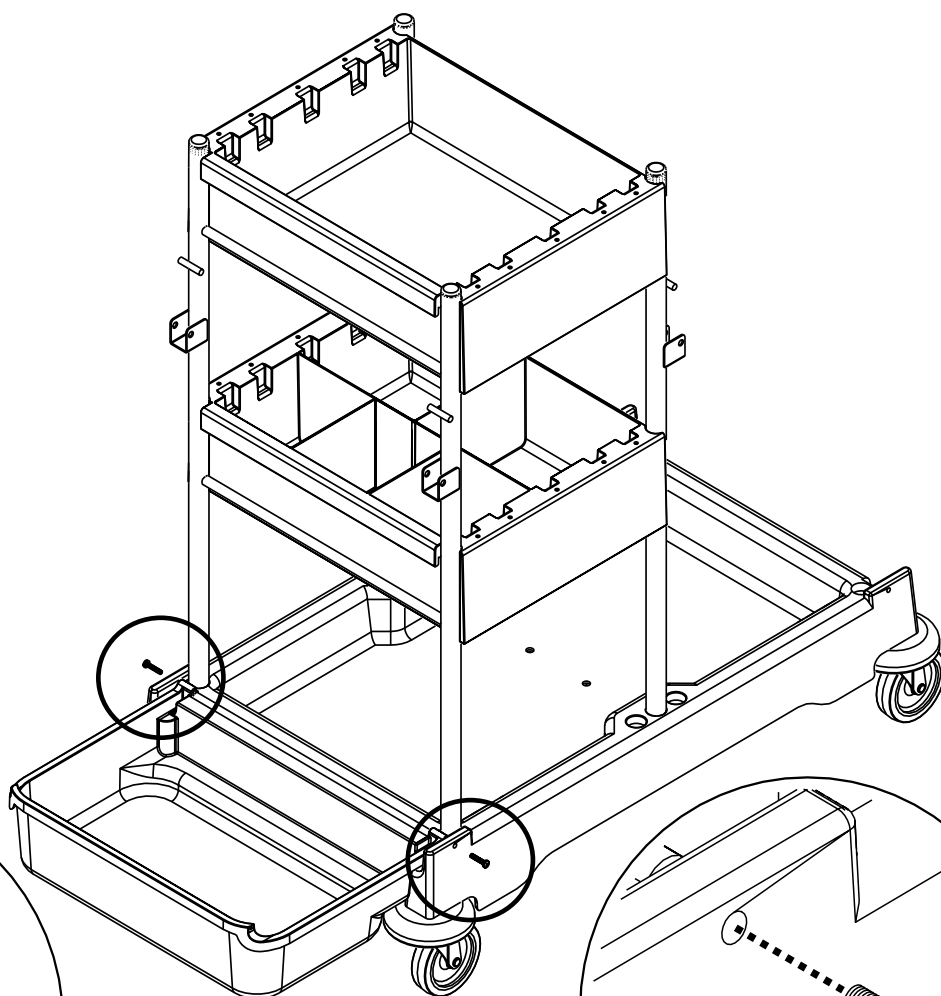
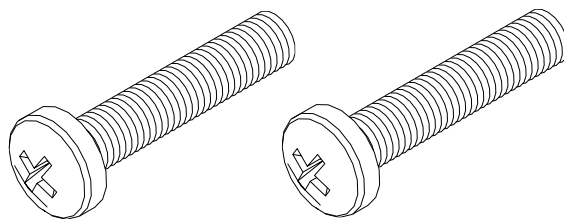
204062

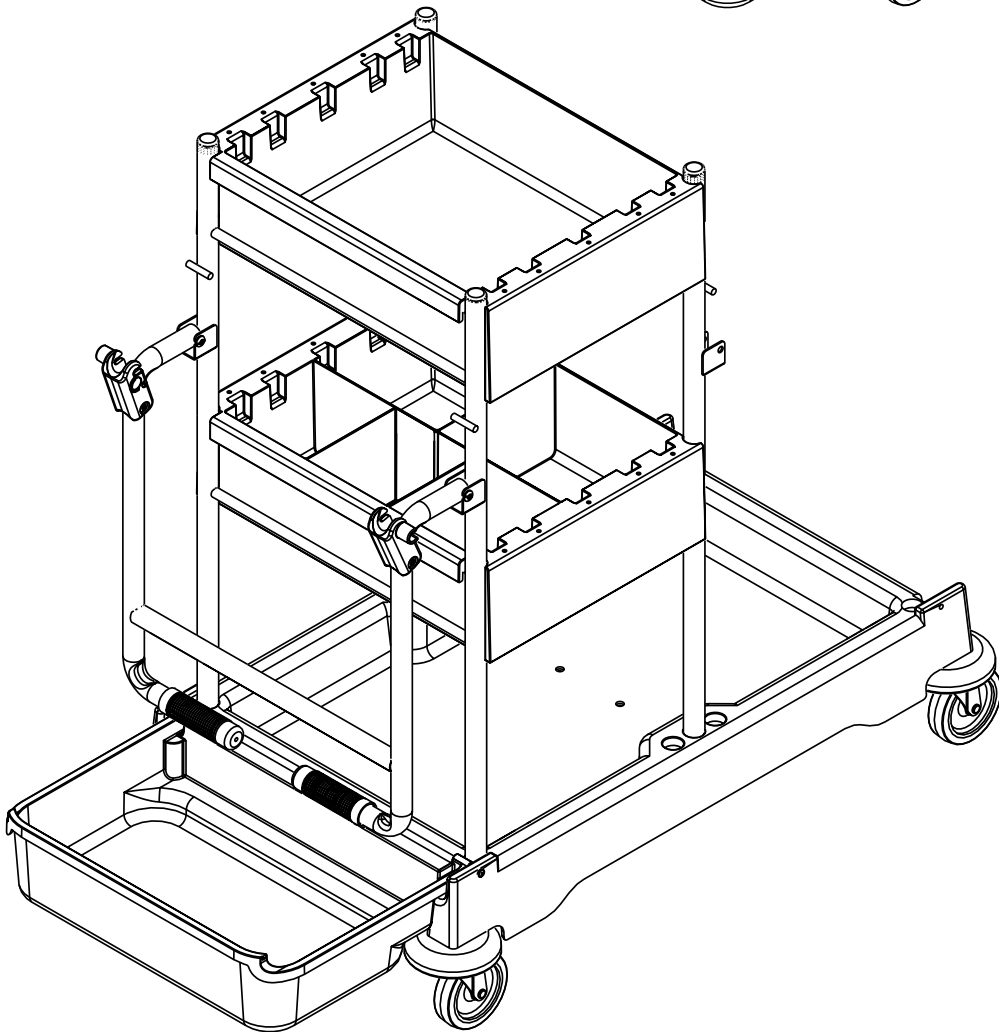
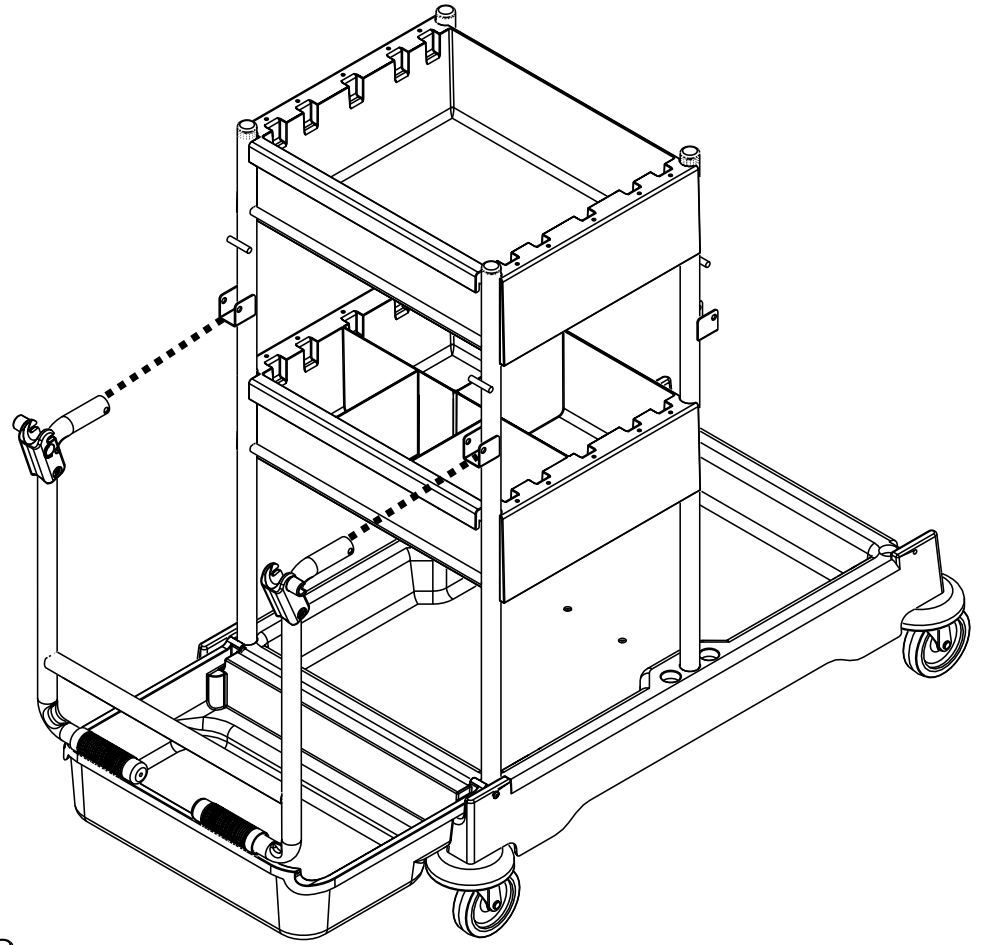




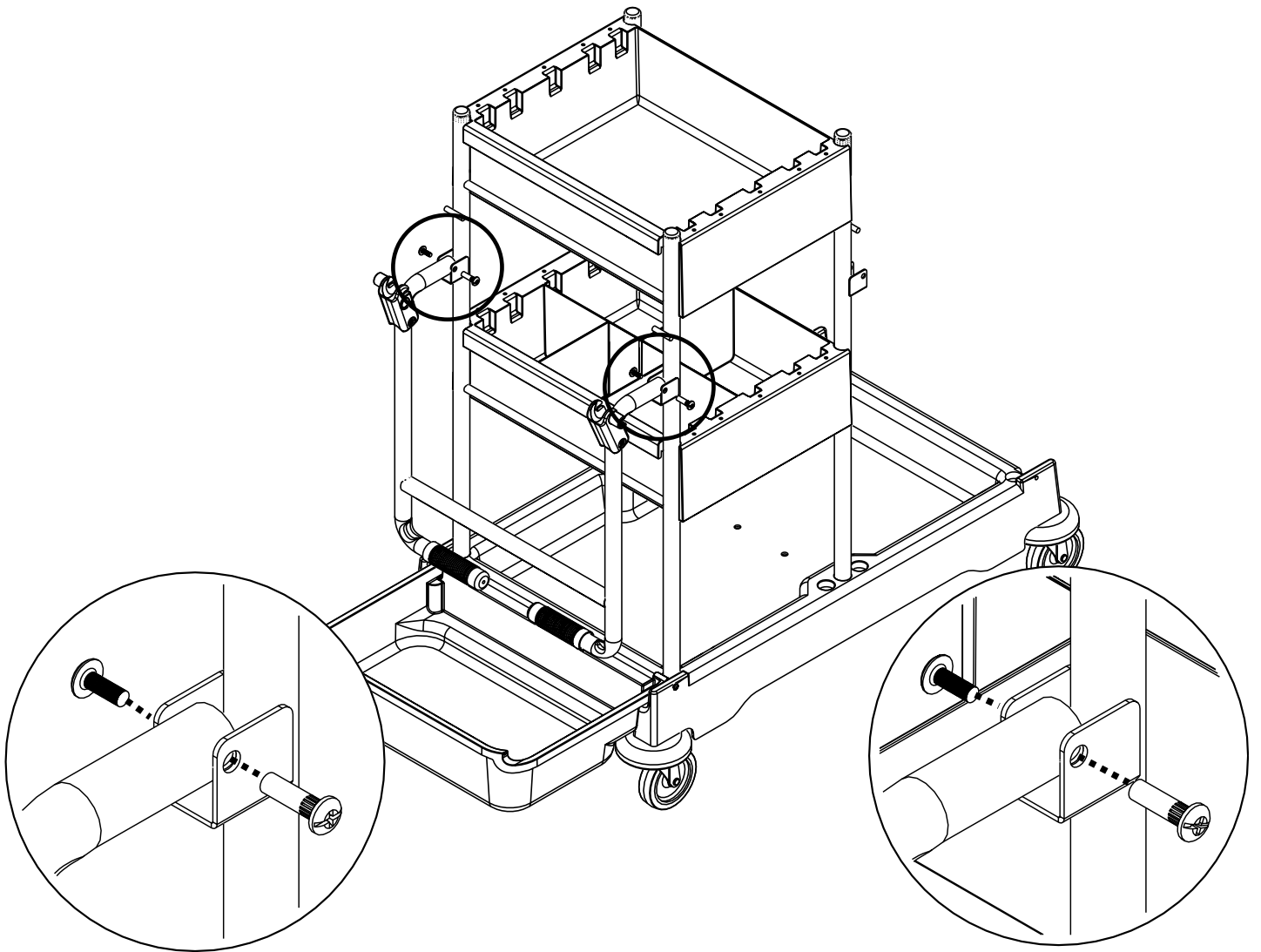
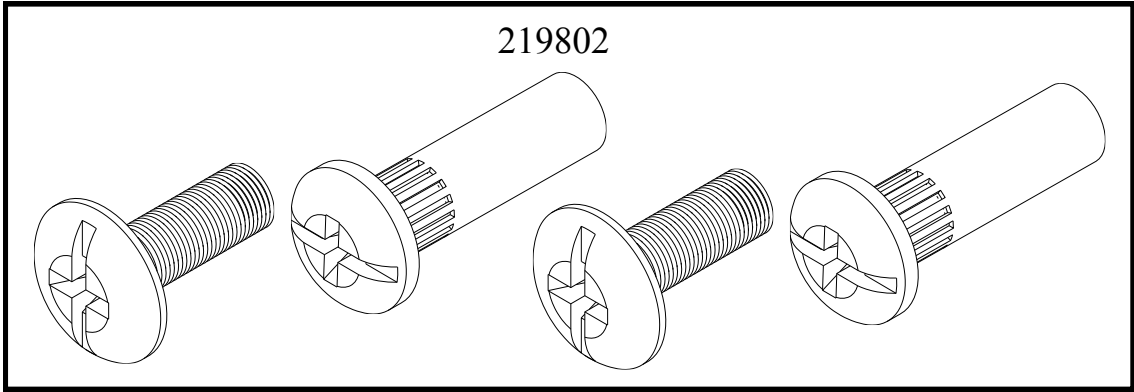


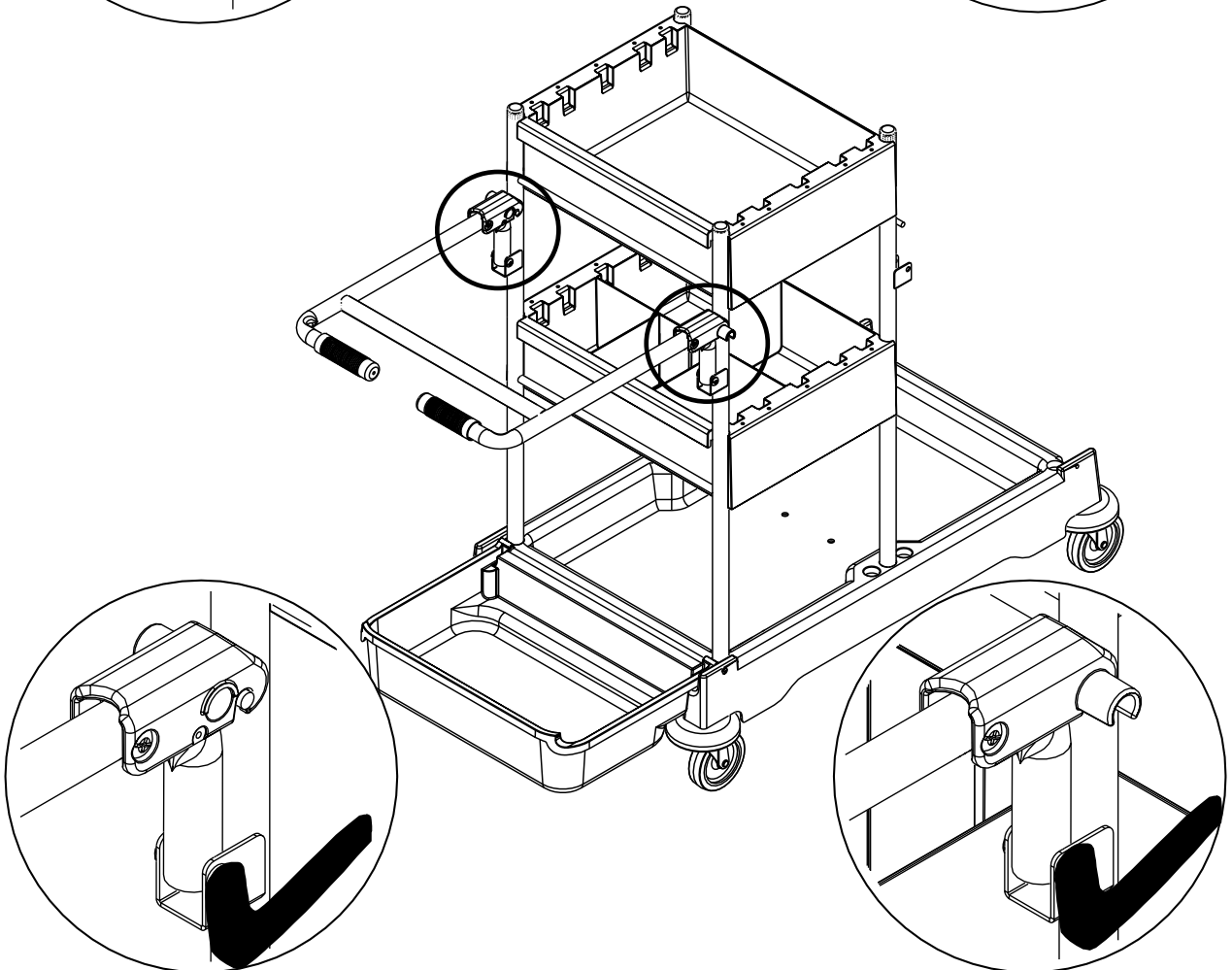
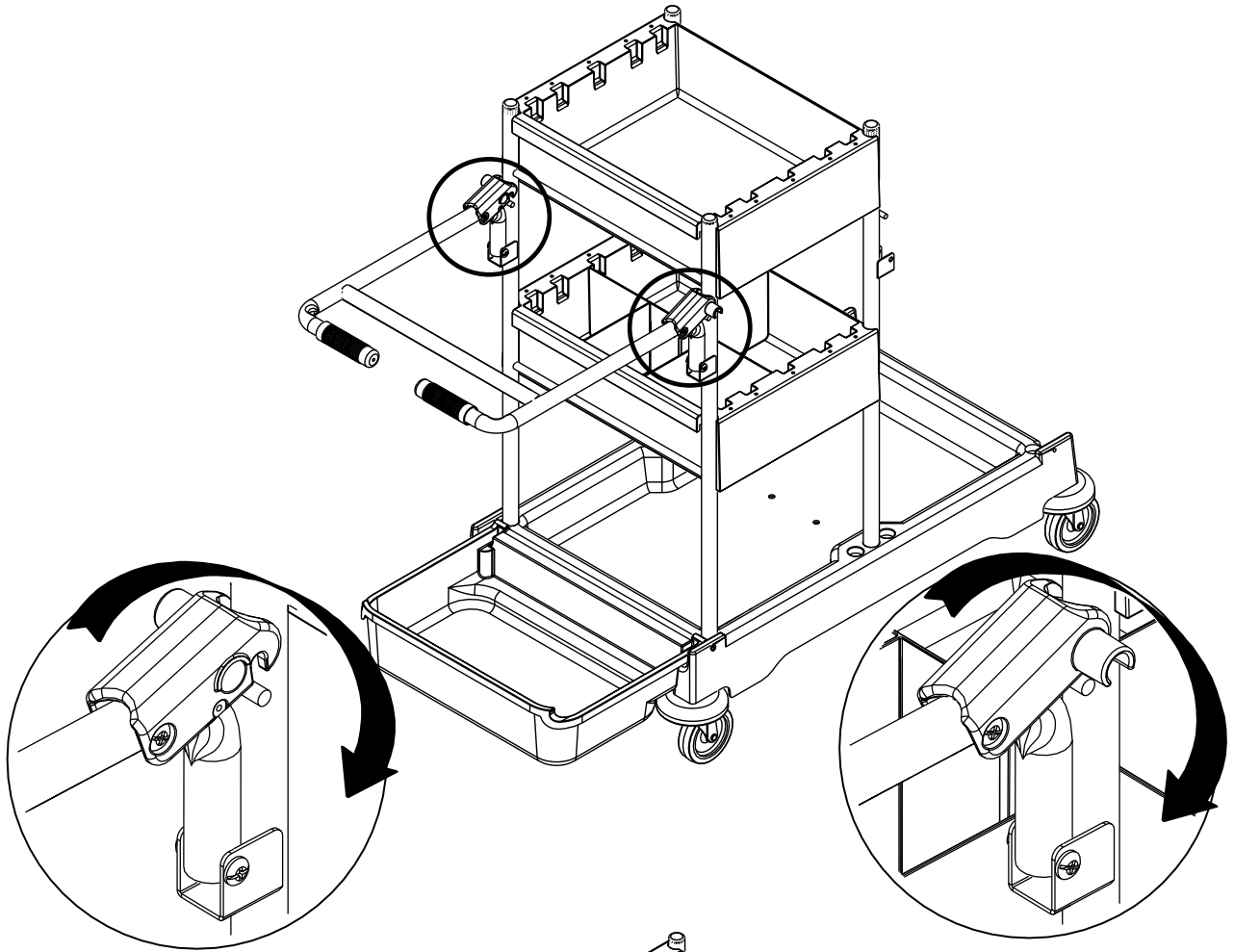
219057

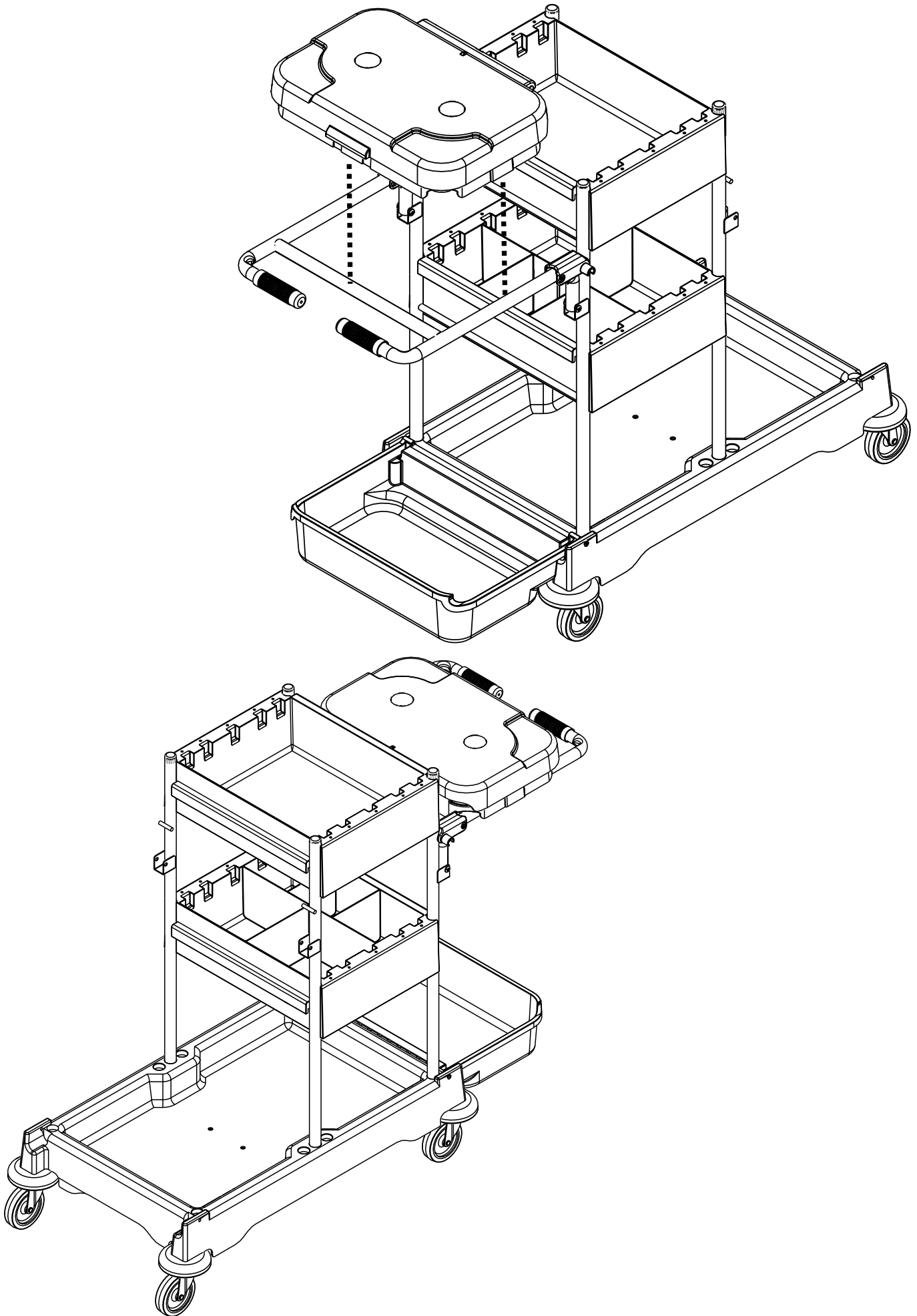




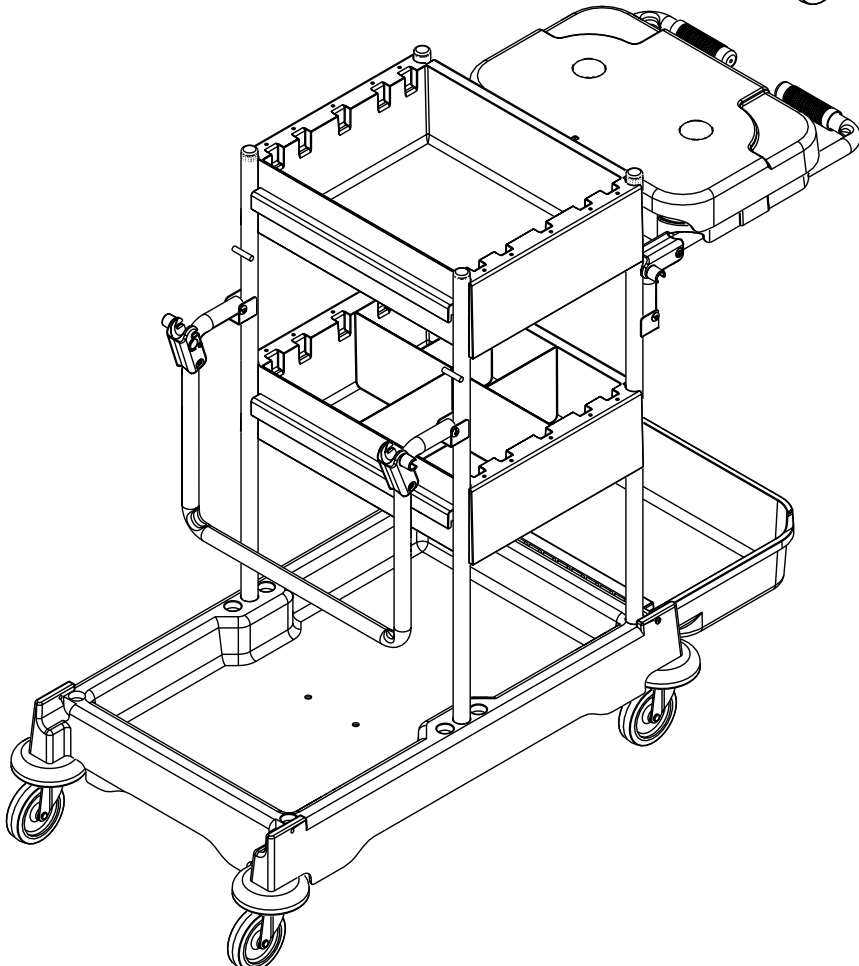
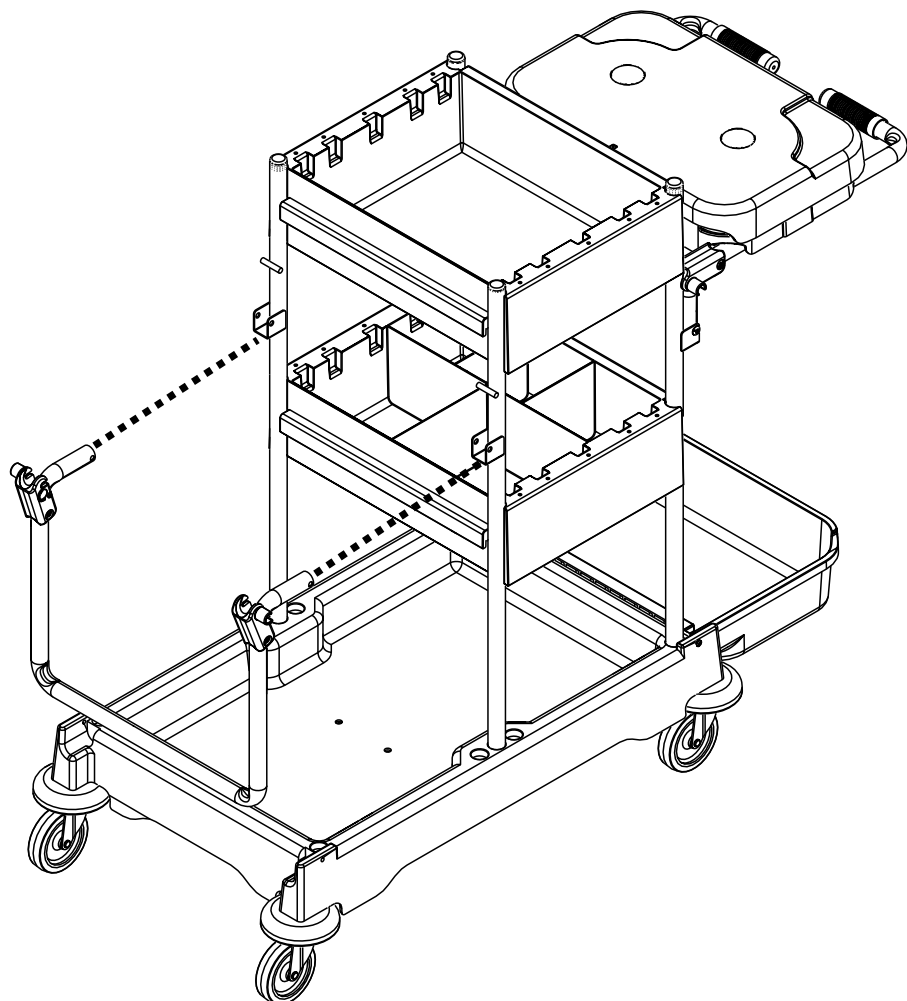
219802











219802

